



# HK2212

Pabla Product Name : DC 222812

Also known as (Similar Names) : HK 222812 , HK222812 , HK 22 28 12 , HK 2212 , HK2212 , HK 22 12

Type: Needle Roller Bearing Shell Type ( Caged)

Pabla Part No. 12130

**Dimension:** 22 x 28 x 12

Inner Diameter (Fw) = 22 mm

Outer Diameter (D) = 28 mm

Length (C)=12 mm , Tolerance = +0.00 , -0.20 mm

Radius = 0.80 mm Min.

Number of rollers = 23 Nos.

Weight = 0.0185 Kg

**Life Cycle,Dynamic Load and Speed**

Basic dynamic load rating (radial) = 9100 N

Basic static load rating (radial) = 13400 N

Fatigue limit load (radial) = 1600 N

( N = newton , 1 N = 1 Kg x 9.85 )

Life cycle = 1,00,000 Kilometers average

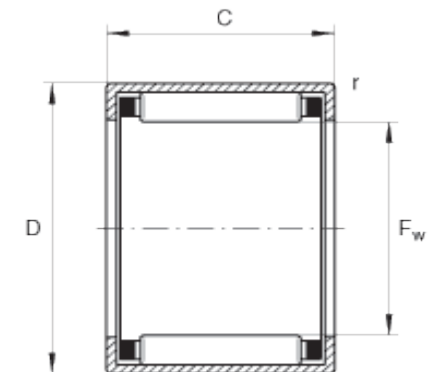
Limiting speed Approx = 9600 RPM ( Grease application)

Limiting speed Approx = 15000 RPM ( Oil application)

Operating temp.(Ideal) = - 50 Degree celsius , + 100 Degree celsius

**Payment Terms:** T/T (Bank Transfer)

- Minimum Order Quantity: 5000 Pieces
- Port of Dispatch: PPG Delhi,NHAVA SHEBA Mumbai
- Delivery Time: 10 to 15 days
- Packaging Details: 23 Pcs. in one plastic tube or single pc. in pouch packing.



Dimensions	
Fw	22 mm
D	28 mm
C	12 mm , +0.00 , -0.20 mm
r	0.80 mm Min.